

CP-121HT Peltier-Thermoelectric Cold-Plate Cooler



- Heats as well as cools (when used with heat & cool / bipolar controller).
- Can be used for heating to 100 °C.
- Ideal for medium to large heat loads, such as laser diodes, medical and laboratory instruments, and thermal stabilization of electronic components.
- Provides effective direct-contact cooling which is ideal for precision temperature control.
- Heat-sink air flows along the length of fins (in one end, out the opposite end).
- No additional modifications needed for bench-top use.
- Low fan noise (two fans, 39 dBA each) is beneficial in laboratory instrumentation.
- Threaded holes are located in cold plate for easy attachment of a temperature sensor, interface plate, LC-SSX1 liquid exchanger, or other object.
- Customizations are available in production volumes for OEM users.
- CE marked, RoHS compliant.

TE TECHNOLOGY, INC.®

Expert Engineering, Precision Manufacturing:
Quality Thermal Solutions Delivered

<https://tetech.com/> • cool@tetech.com • 231-929-3966 • 1590 Keane Drive • Traverse City, MI 49696

CP-121HT Specifications

Thermoelectric (TE) Power (typical)^{1,3}: 24 VDC at 9.2 A
 Thermoelectric (TE) Power (maximum)^{2,3}: 24 VDC at 11.1 A
 External (ambient) Fan Power: 24 VDC at 0.30 A
 External (ambient) Fan Noise: 42 dBA

NEMA Rating: NA
 Weight (kg): 4.2

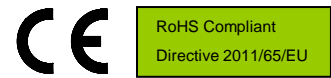
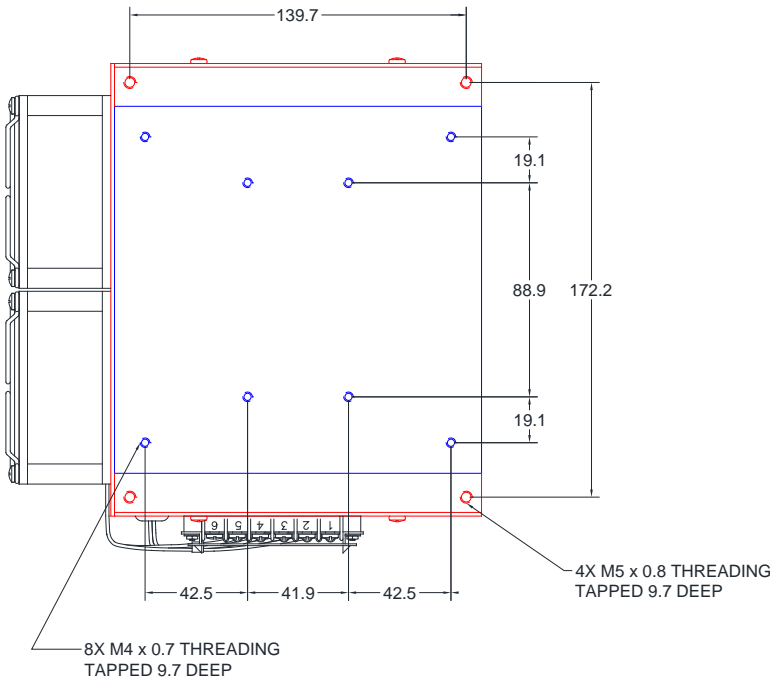
⚠ Please review the [Thermoelectric Cooling Assembly \(TCA\) Instruction Manual](#) (or [manual in other languages](#)), [ordering information](#), and [FAQ's](#) for related technical information before purchasing or using this product.

Performance is based on unrestricted air flow to fans and from air-flow outlets. Do not operate if the heat sink or cold plate exceeds 100 °C. Do not operate fans at air temperatures below -10 °C or over 70 °C.

¹Current, at steady-state, is rated at +25 °C ambient, +25 °C internal, maximum heat removal. At -23 °C internal, the typical steady-state current is 9.2 A.

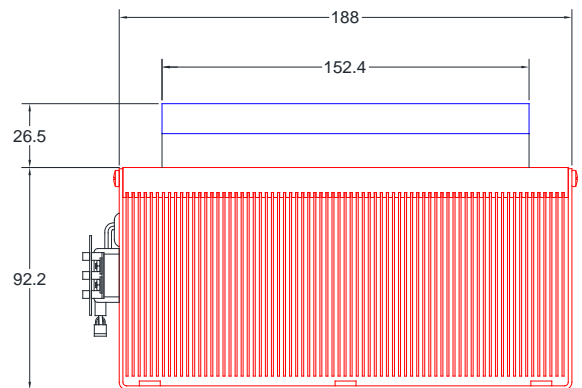
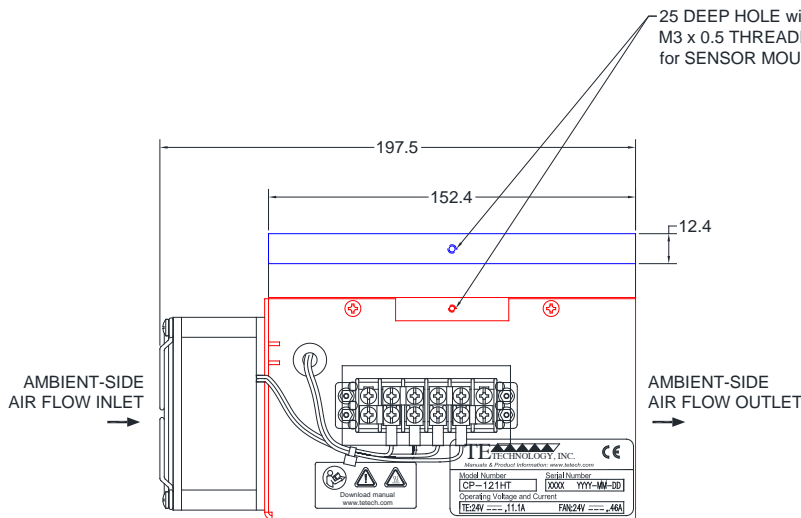
²Current, at steady-state operation under-worst case conditions, is rated at -20 °C ambient, +70 °C internal, maximum heat removal.

³Total current consumption is sum of TE current and Fan current.



A 3D PDF, .stp, and .sldprt solid models are also available from the website. Contact TE Technology for 3D solid models in other formats.

All dimensions in millimeters.
 Cold plate shown in blue;
 External (ambient) side shown in red.

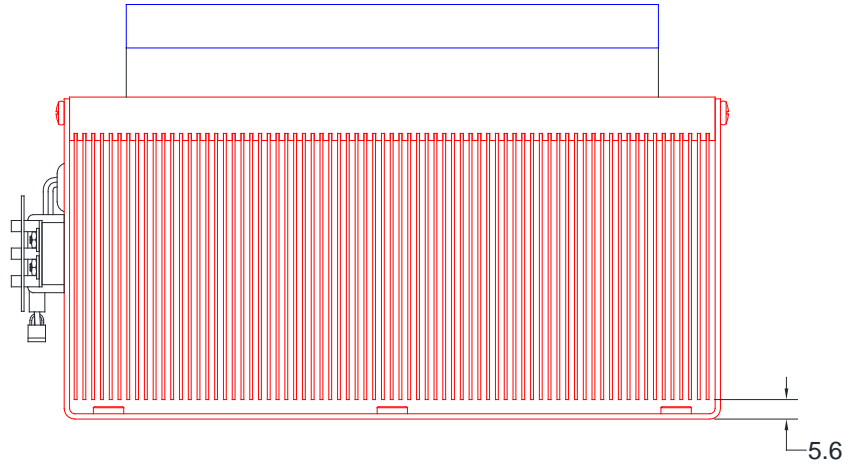


Expert Engineering, Precision Manufacturing:
 Quality Thermal Solutions Delivered

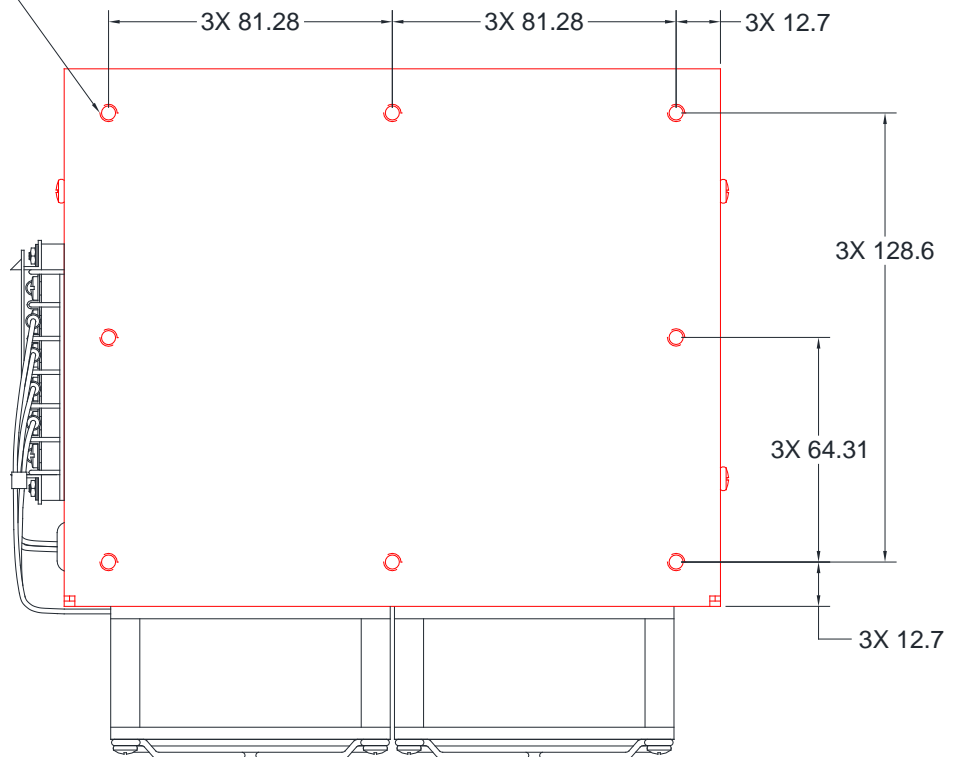
<https://tetech.com/> • cool@tetech.com • 231-929-3966 • 1590 Keane Drive • Traverse City, MI 49696

Bottom View of CP-121HT

Cooler can be mounted using the eight M5 x 0.8 PEM nuts located as shown in the base of the shroud



8X M5 X 0.8 THREADED PEM NUT



RoHS Compliant
Directive 2011/65/EU

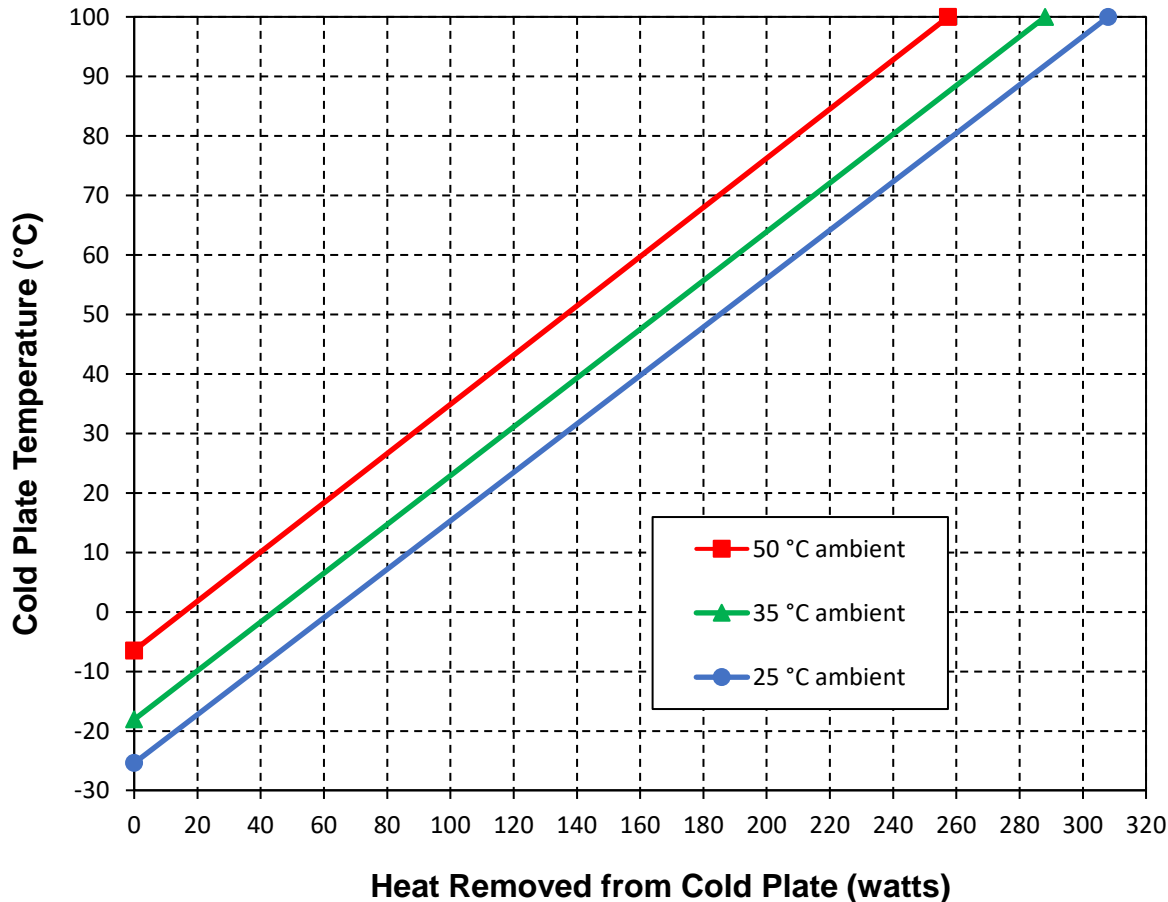
TE TECHNOLOGY, INC.®

Expert Engineering, Precision Manufacturing:
Quality Thermal Solutions Delivered

<https://tetech.com/> • cool@tetech.com • 231-929-3966 • 1590 Keane Drive • Traverse City, MI 49696

CP-121HT Cooling Performance Graph

(removing heat from cold plate)



How to use the Performance Graph:

1. Select Performance Line

The diagonal lines represent cooling performance at the indicated ambient air temperature (intake temperature on the ambient-side fan). If the cooler is to operate at a different ambient, then you must sketch in a new performance line. This can be drawn parallel to one of the existing lines, using the distance between the existing lines as a scale to properly locate the new line.

2. Select Enclosure Temperature

Draw a horizontal line on the graph corresponding to the desired cold-plate temperature. Make the line intersect with the performance line corresponding to the ambient temperature at which the cooler is to operate.

3. Determine Cooling Capacity

The maximum amount of heat that the cooler can remove from the cold plate is determined by the intersection point (determined in the previous step). *The cooler will be able to maintain the desired temperature if the cooling capacity exceeds the heat load. If the heat load exceeds the cooling capacity then a higher capacity cooler will be needed.*

Example: You need to maintain the cold plate at 20 °C while in a 50 °C ambient. The cooler can remove a maximum of approximately 65 W of heat from the cold plate. If the heat gain from the ambient plus anything else actively generating heat exceeds this, you would need a cooler with a larger cooling capacity or multiple coolers.

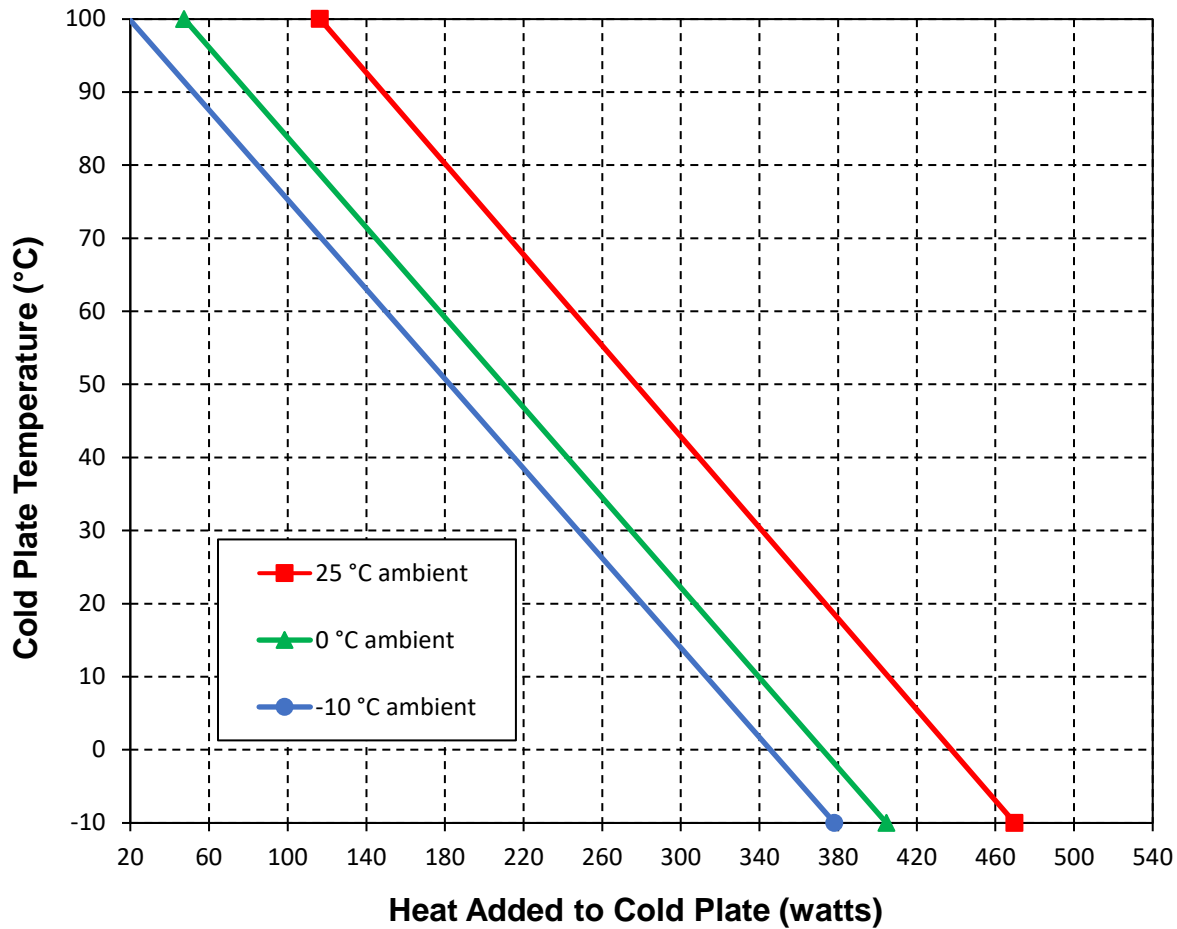


Expert Engineering, Precision Manufacturing:
Quality Thermal Solutions Delivered

<https://tetech.com/> • cool@tetech.com • 231-929-3966 • 1590 Keane Drive • Traverse City, MI 49696

CP-121HT Heating Performance Graph

(adding heat to cold plate)



How to use the Performance Graph:

1. Select Performance Line

The diagonal lines represent heating performance at the indicated ambient air temperature (intake temperature on the ambient-side fan). If the cooler is to operate at a different ambient, then you must sketch in a new performance line. This can be drawn parallel to one of the existing lines, using the distance between the existing lines as a scale to properly locate the new line.

2. Select Enclosure Temperature

Draw a horizontal line on the graph corresponding to the desired cold-plate temperature. Make the line intersect with the performance line corresponding to the ambient temperature at which the cooler is to operate.

3. Determine Heating Capacity

The maximum amount of heat that the cooler can add to the cold plate is determined by the intersection point (determined in the previous step). *If the heat added to the cold plate (including heat generated by equipment on the cold plate) is greater than the heat loss from the cold plate, then the cooler will be able to heat to the desired temperature.*

Example: You need to maintain the cold plate at 30 °C while in a 0 °C ambient. The cooler can add up to approximately 275 W of heat to the cold plate. If the heat dissipation from the cold plate to the ambient exceeds this (plus anything else generating heat), you would need multiple coolers or a cooler with a larger heating capacity.

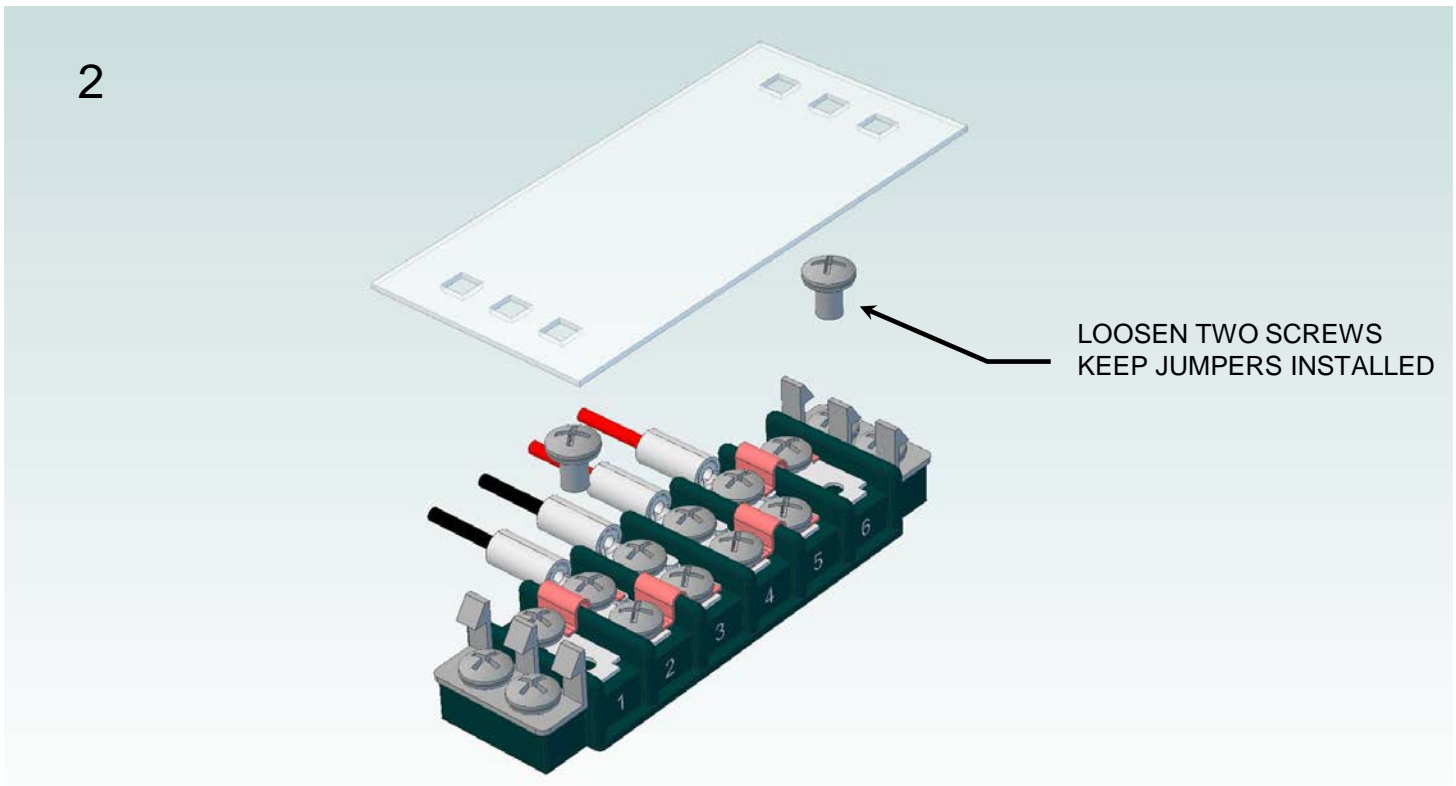
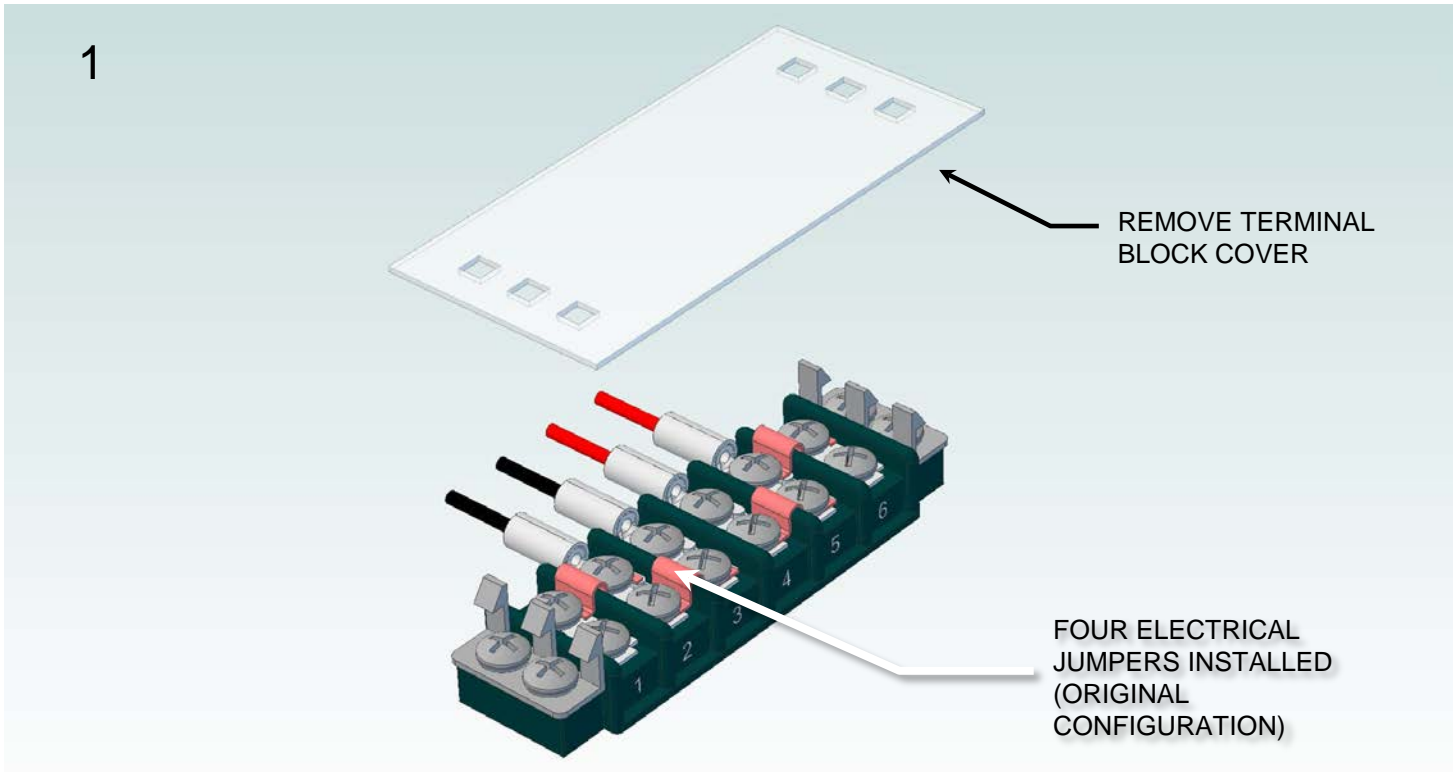


Expert Engineering, Precision Manufacturing:
Quality Thermal Solutions Delivered

<https://tetech.com/> • cool@tetech.com • 231-929-3966 • 1590 Keane Drive • Traverse City, MI 49696

Terminal Block Configuration for Continuous Operation at Full Power

As-Shipped Configuration 1 of 2



TE TECHNOLOGY, INC.®

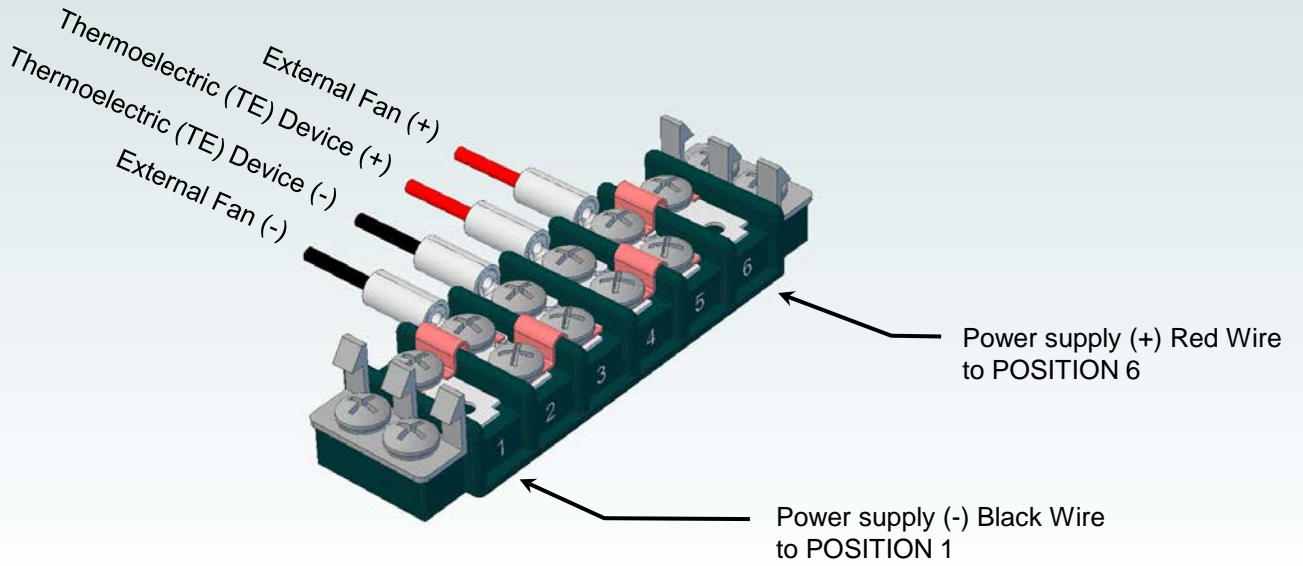
Expert Engineering, Precision Manufacturing:
Quality Thermal Solutions Delivered

<https://tetech.com/> • cool@tetech.com • 231-929-3966 • 1590 Keane Drive • Traverse City, MI 49696

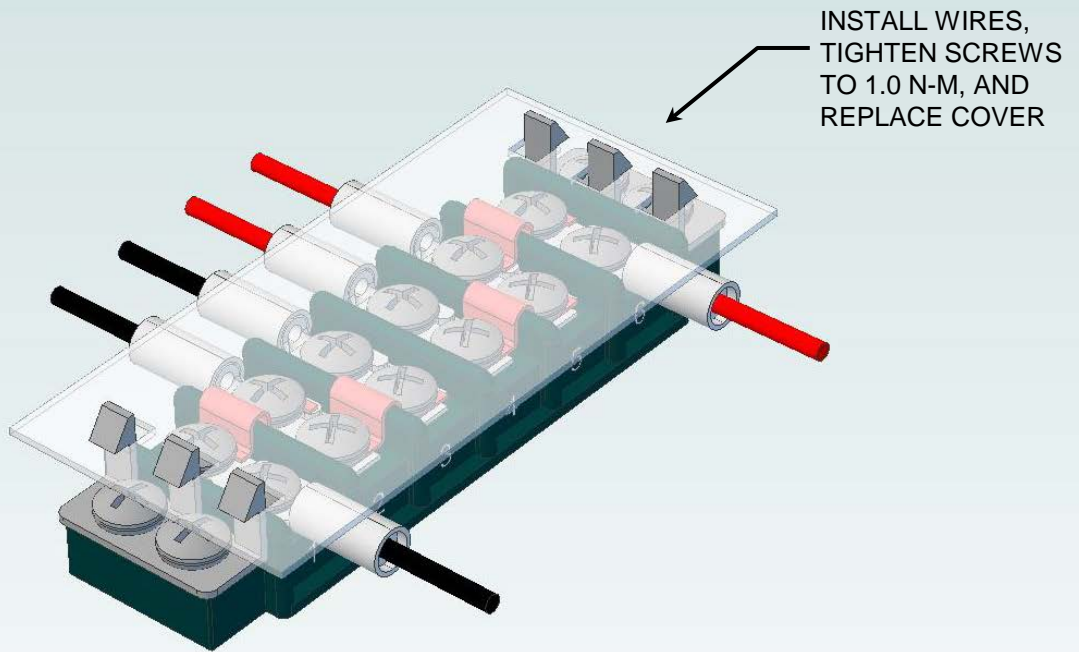
Terminal Block Configuration for Continuous Operation at Full Power

2 of 2

3



4



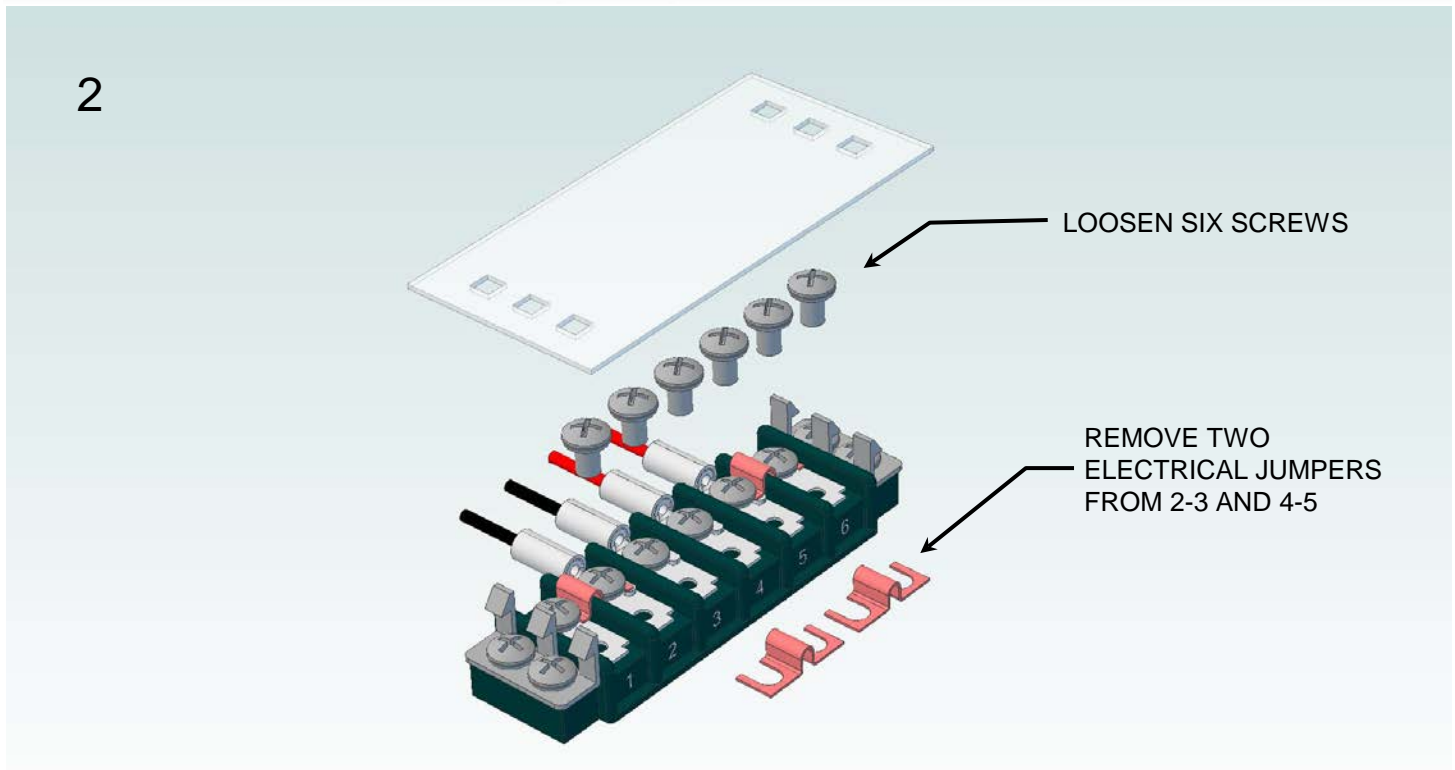
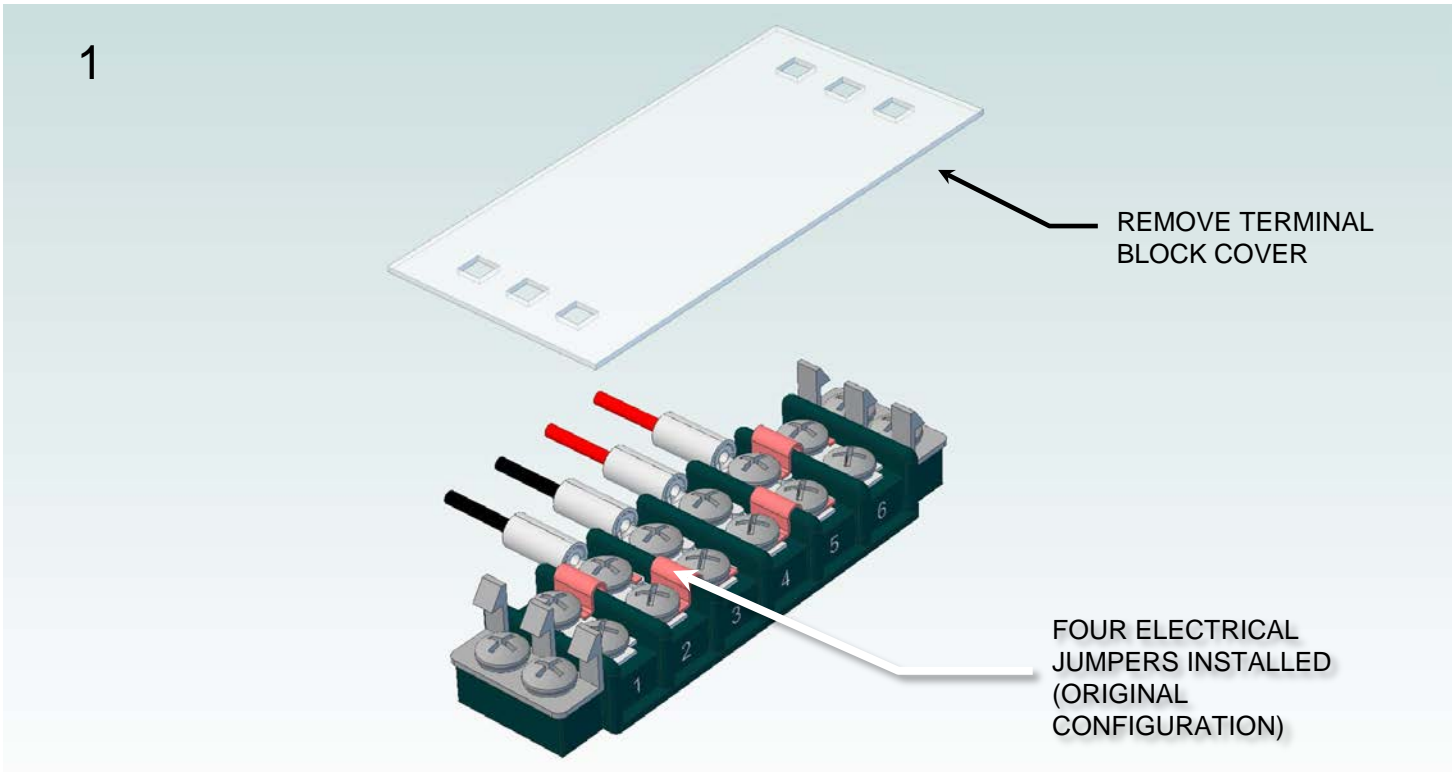
TE TECHNOLOGY, INC.®

Expert Engineering, Precision Manufacturing:
Quality Thermal Solutions Delivered

<https://tetech.com/> • cool@tetech.com • 231-929-3966 • 1590 Keane Drive • Traverse City, MI 49696

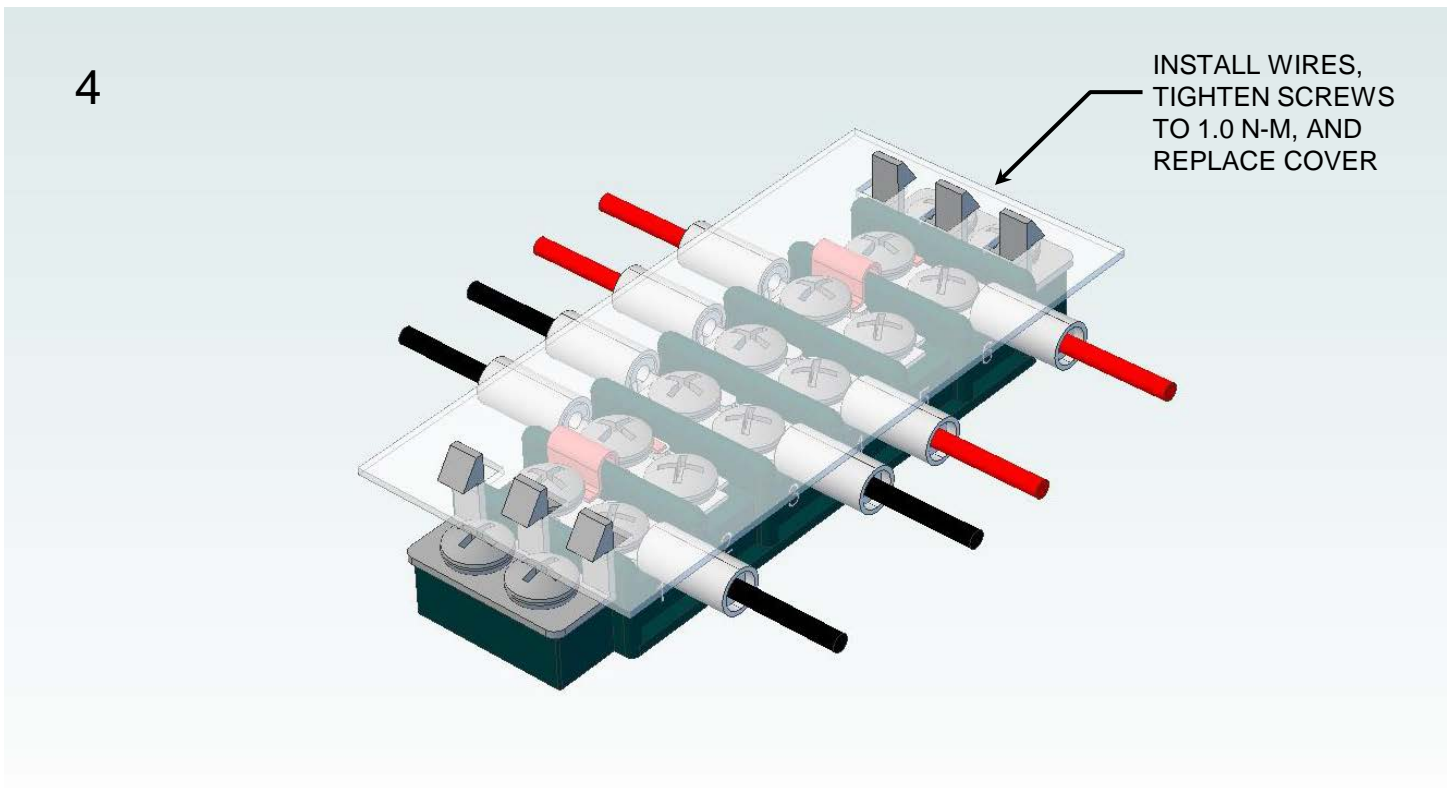
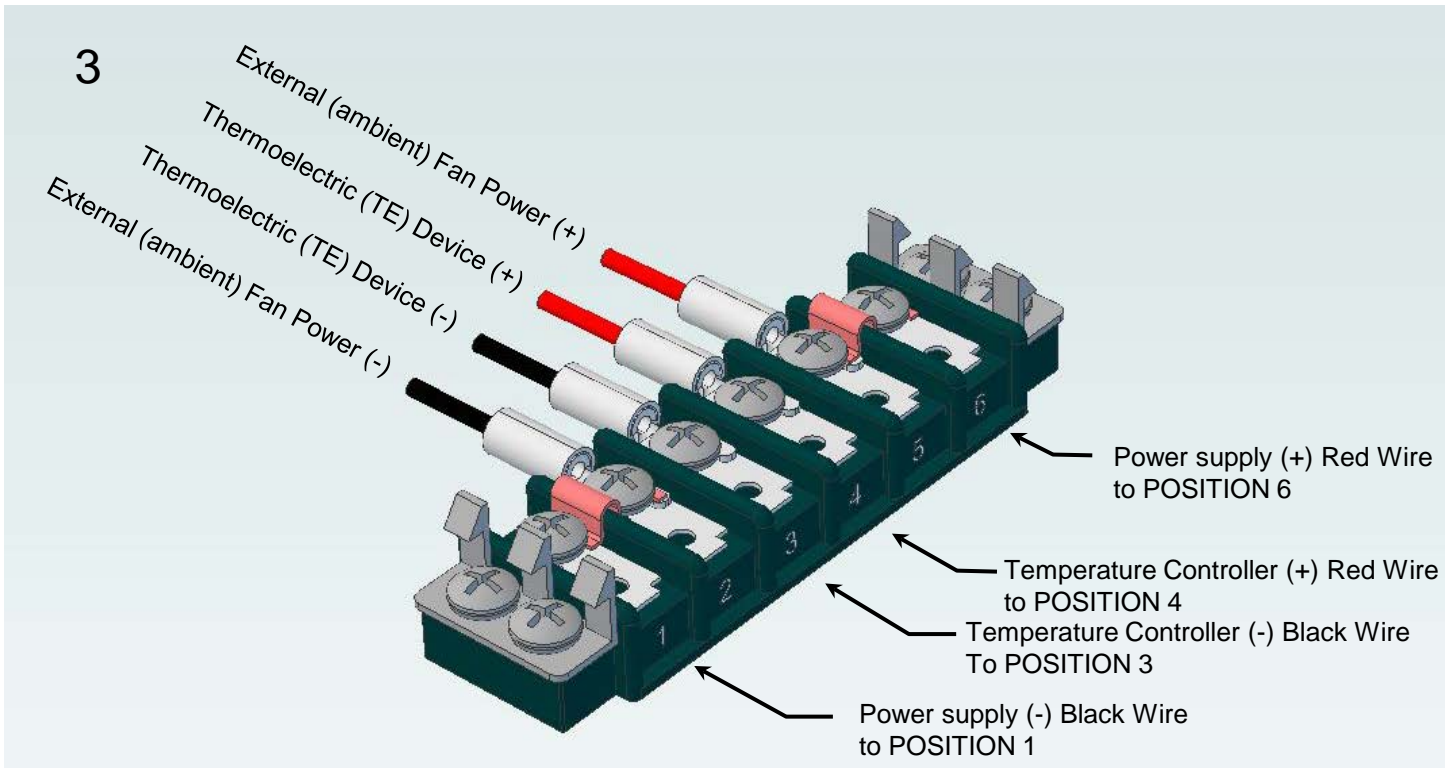
Terminal Block Configuration for Operation with Temperature Controller

1 of 2



Terminal Block Configuration for Operation with Temperature Controller

2 of 2



Expert Engineering, Precision Manufacturing:
Quality Thermal Solutions Delivered

<https://tetech.com/> • cool@tetech.com • 231-929-3966 • 1590 Keane Drive • Traverse City, MI 49696