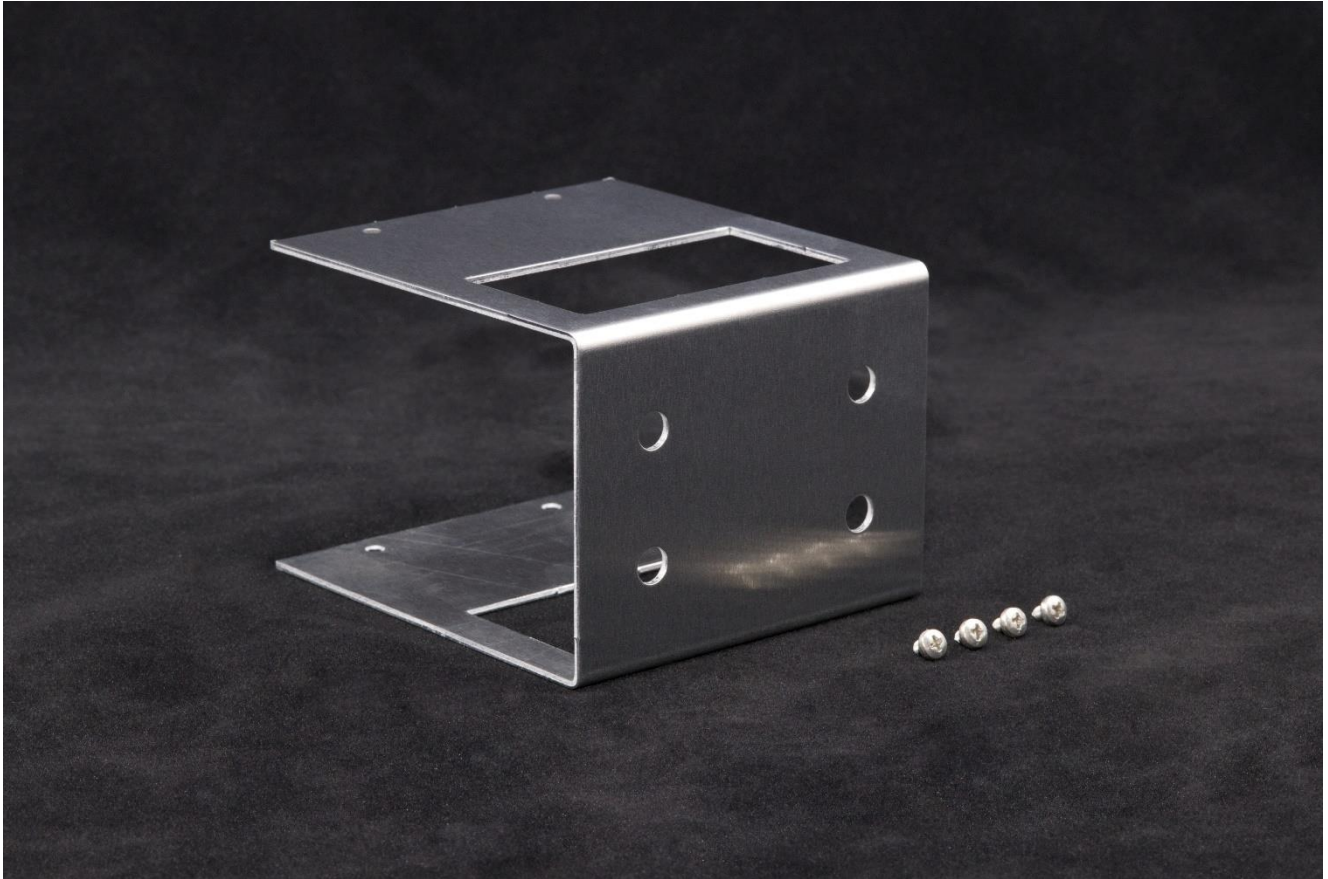


CP-035HT Mounting Bracket



- Converts the CP-035HT into a benchtop ready cooler.
- Mounting holes are provided in base of shroud for attachment to common optical tables and breadboards.
- CP-035HT has pre-drilled, tapped holes in sides of heat sink for attaching the bracket with the supplied M3 screws.
- RoHS compliant.

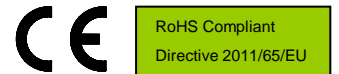
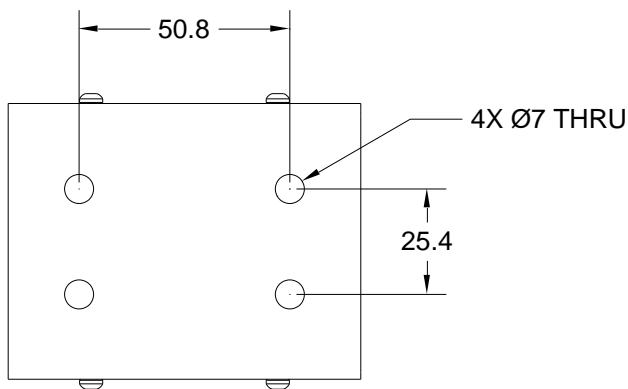
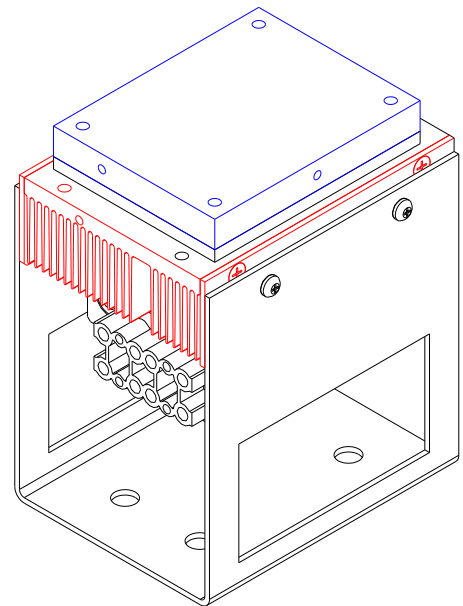
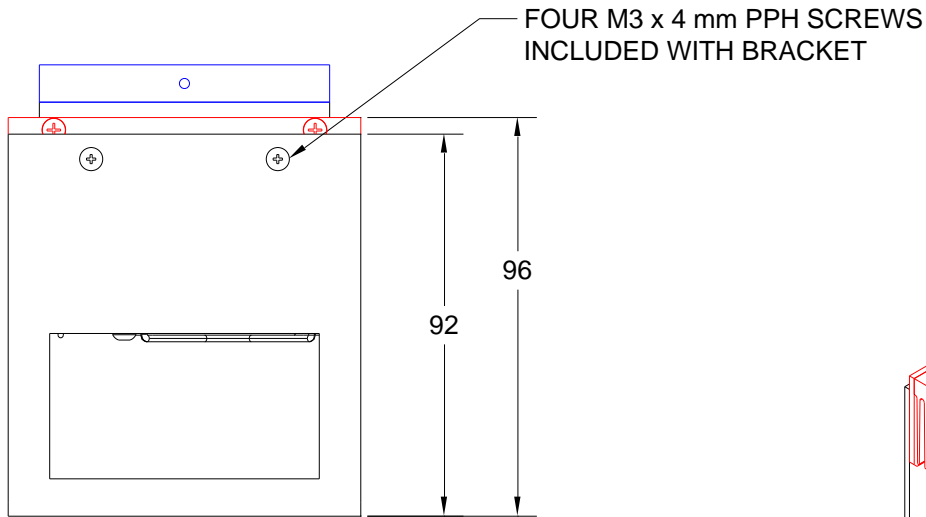


Expert Engineering, Precision Manufacturing:
Quality Thermal Solutions Delivered

<https://tetech.com/> • cool@tetech.com • 231-929-3966 • 1590 Keane Drive • Traverse City, MI 49696

CP-035HT with Optional Mounting Bracket

(for converting to bench-top use)



Expert Engineering, Precision Manufacturing:
Quality Thermal Solutions Delivered

<https://tetech.com/> • cool@tetech.com • 231-929-3966 • 1590 Keane Drive • Traverse City, MI 49696