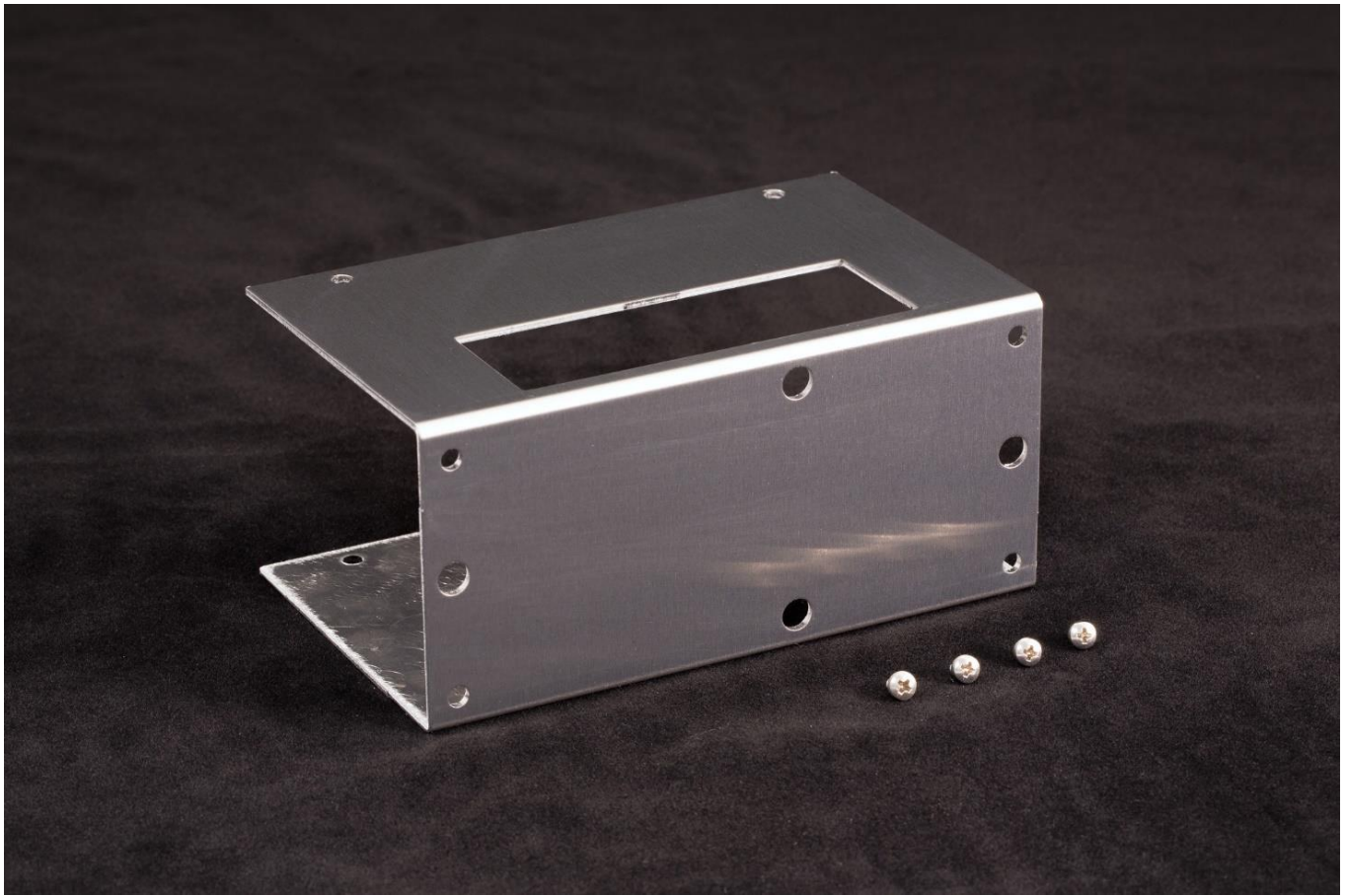


CP-040HT Mounting Bracket



- Converts the CP-040HT into a benchtop ready cooler.
- Mounting holes are provided in base of shroud for attachment to common optical tables and breadboards.
- CP-040HT has pre-drilled, tapped holes in sides of heat sink for attaching the bracket with the supplied M3 screws.
- RoHS compliant.



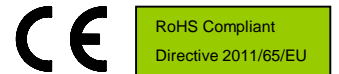
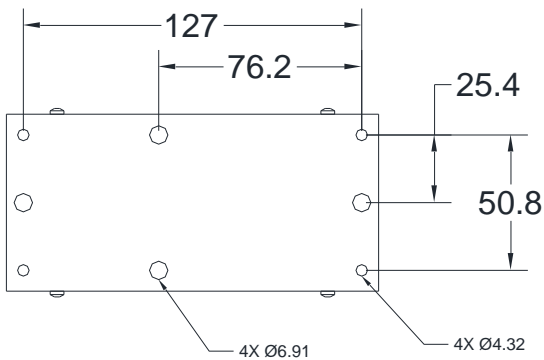
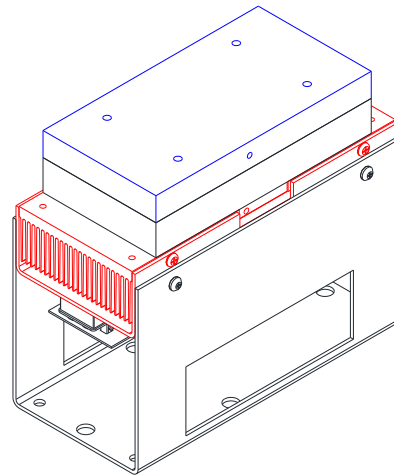
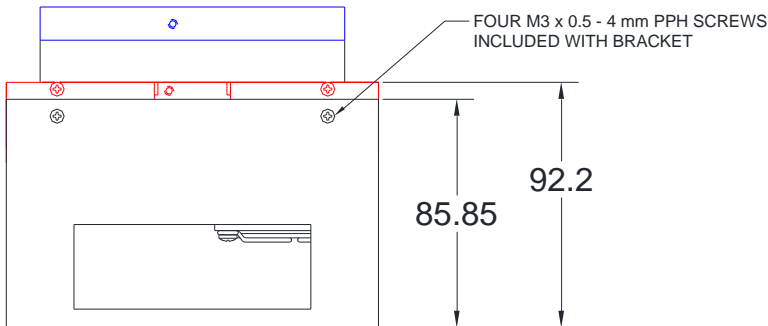
Expert Engineering, Precision Manufacturing:
Quality Thermal Solutions Delivered

<https://tetech.com/> • cool@tetech.com • 231-929-3966 • 1590 Keane Drive • Traverse City, MI 49696

CP-040HT with Optional Mounting Bracket

(for converting to bench-top use)

- NOTE:
1. ALL DIMENSIONS ARE IN MILLIMETERS
 2. OPTIONAL MOUNTING BRACKET SHOWN ATTACHED TO CONVERT CP-040HT FOR BENCH-TOP USE



Expert Engineering, Precision Manufacturing:
Quality Thermal Solutions Delivered

<https://tetech.com/> • cool@tetech.com • 231-929-3966 • 1590 Keane Drive • Traverse City, MI 49696